



## INSTALLATION INSTRUCTIONS

| Accessory    | Application    | Publications No.       |
|--------------|----------------|------------------------|
| BED EXTENDER | 2019 RIDGELINE | VERSION 1              |
|              |                | Issue Date<br>FEB 2018 |

### PARTS LIST

**Bed Extender Kit**  
P/N 08L26-T6Z-100

Left front bracket  
(marked L)



Right front bracket  
(marked R)



Left rear latch  
(marked L)



Right rear latch  
(marked R)



Left tube  
(with label)



Right tube



2 Straps



3 Center tubes



4 Bumpers



2 Outer bumper uprights



2 Inner bumper uprights



6 Hex bolts



12 PT-Screws



Accessory user's information manual



**Bed Extender (M/C) Kit  
P/N 08L26-T6Z-100A**

Left front bracket  
(marked L)



Right front bracket  
(marked R)



Left rear latch  
(marked L)



Right rear latch  
(marked R)



Left tube  
(with label)



Right tube



2 Straps



Upper center tube



Middle center tube



Lower center tube



4 Bumpers



2 Outer bumper uprights



2 Inner bumper uprights



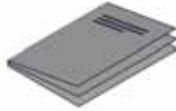
6 Hex bolts



12 PT-Screws



Accessory user's information manual



## TOOLS AND SUPPLIES REQUIRED

Ratchet

T-25 and T-50 TORX bits

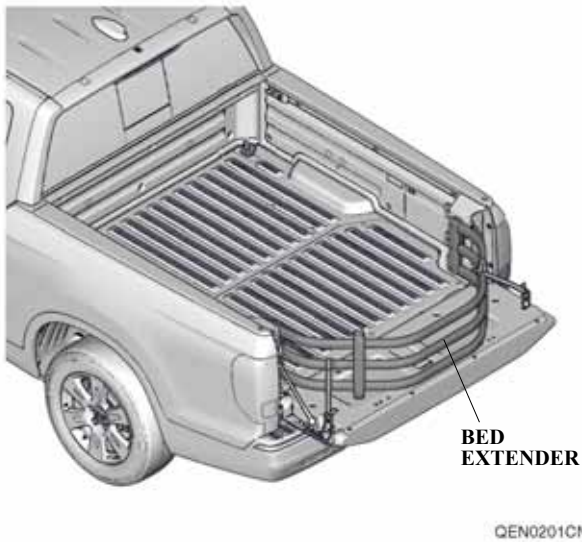
4 mm Hex wrench

Torque wrench

Awl

Tape

### *Illustration of the Bed Extender on the Vehicle*



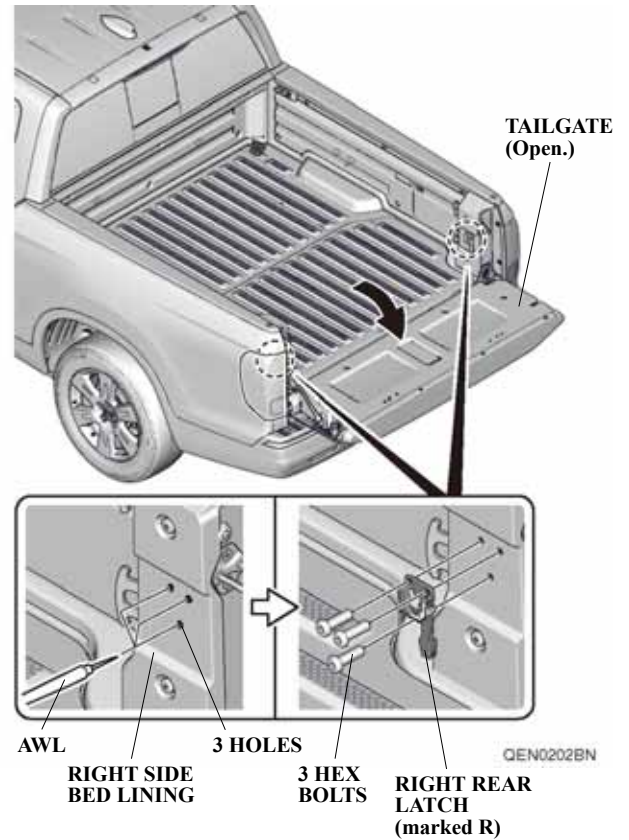
## INSTALLATION

**Customer Information:** The information in this installation instruction is intended for use only by skilled technicians who have the proper tools, equipment, and training to correctly and safely add equipment to your vehicle. These procedures should not be attempted by “do-it-yourselfers.”

NOTE: Do not damage the body paint finish.

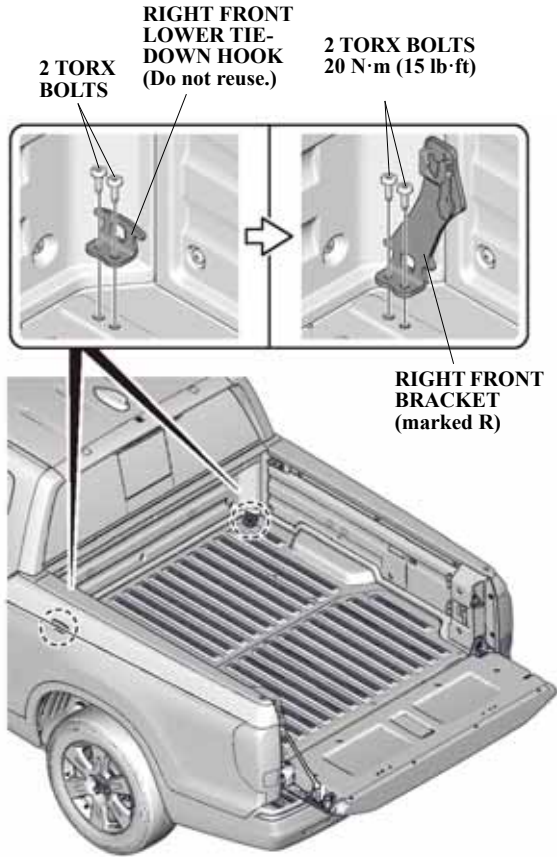
## Installing the Bed Extender

1. Open the tailgate.



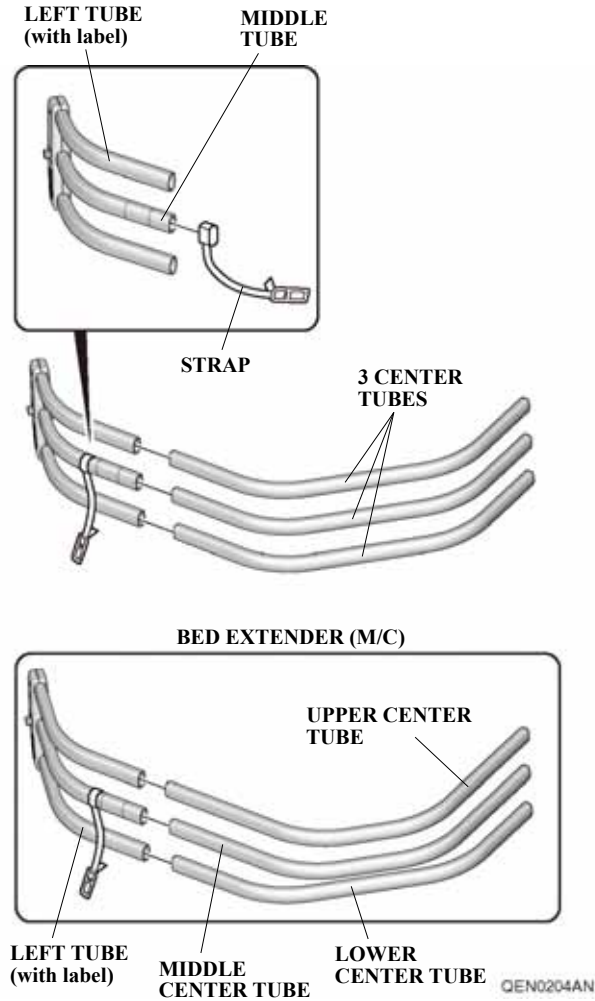
2. Using an awl, pierce through the seals in three holes on the right side bed lining.
3. Install the right rear latch to the right side bed lining with three hex bolts. Repeat steps 2 and 3 on the other side.

4. Remove the right front lower tie-down hook.

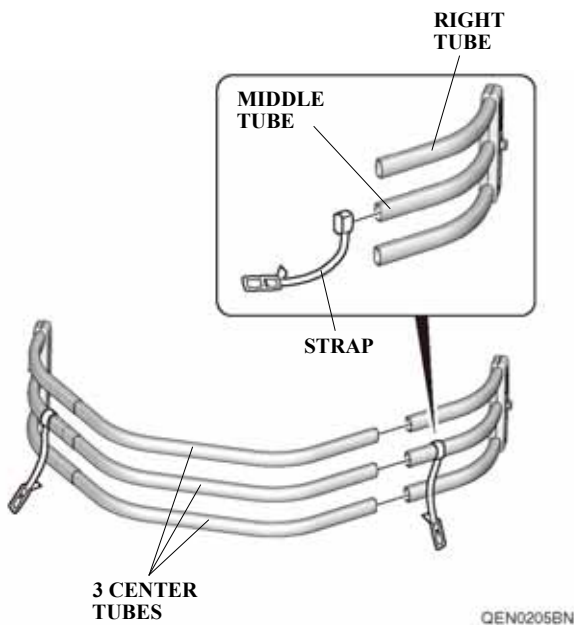


5. Install the right front bracket with two TORX bolts removed in step 4. Torque the TORX bolts to 20 N·m (15 lb·ft). Repeat steps 4 and 5 on the other side.

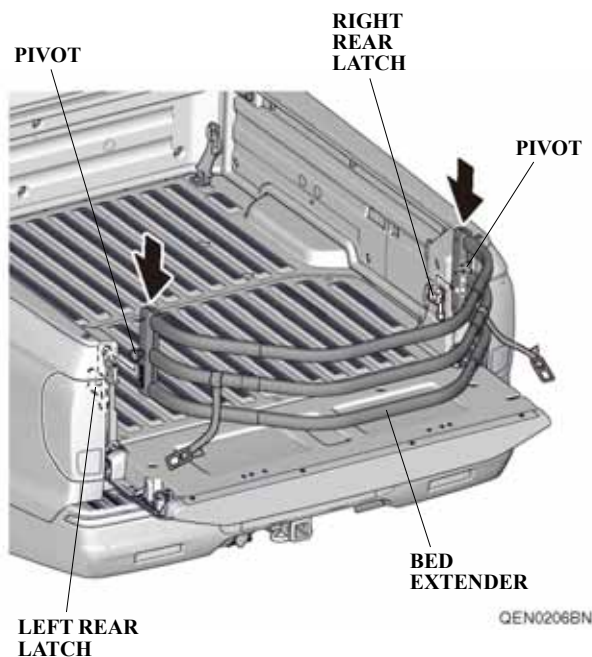
6. Install the strap to the middle tube of the left tube. Slide three center tubes into the left tube use the coated area as a guide for depth of insertion.



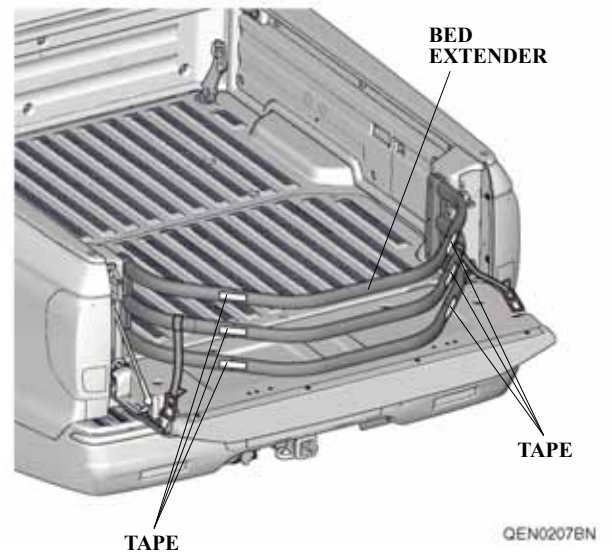
7. Install the strap to the middle tube of the right tube. Slide three center tubes into the right tube using the coated area as a guide for depth of insertion.



8. Insert the two pivots on the bed extender into the rear latches. Push down on the bed extender until the parts are locked.



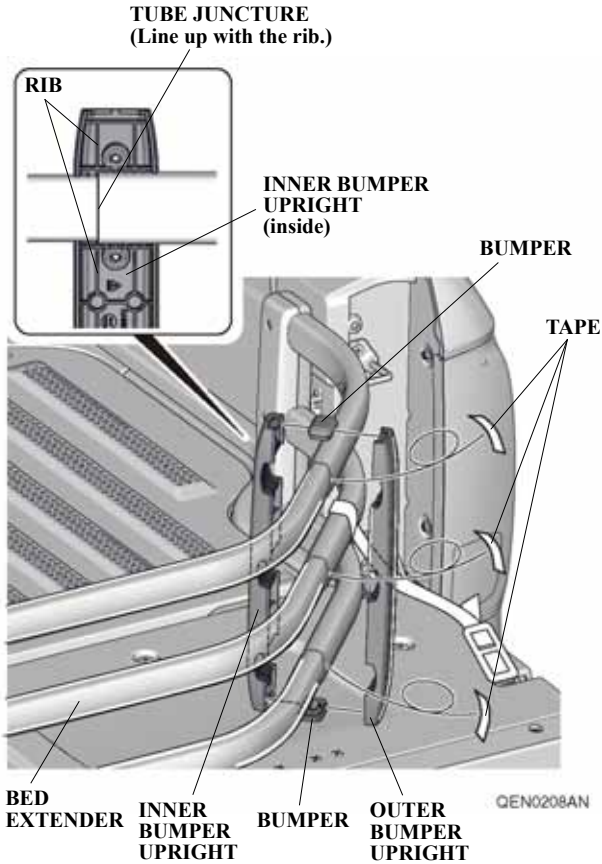
9. Carefully pull down the bed extender onto the tailgate.



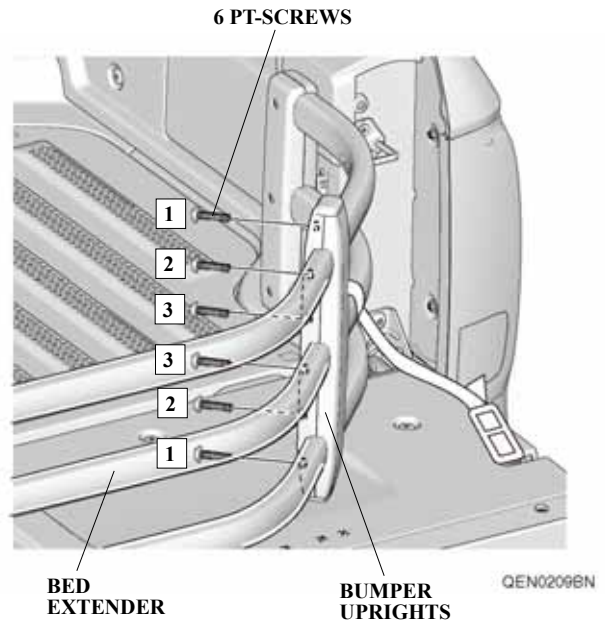
10. Adjust the bed extender width installed in the vehicle and secure them with tape. Make sure it can pivot and be uninstalled without much effort.

- Remove the tape. Line up the outer bumper upright and inner bumper upright around the tube junctures and place two bumpers into the ends of the bumper uprights.

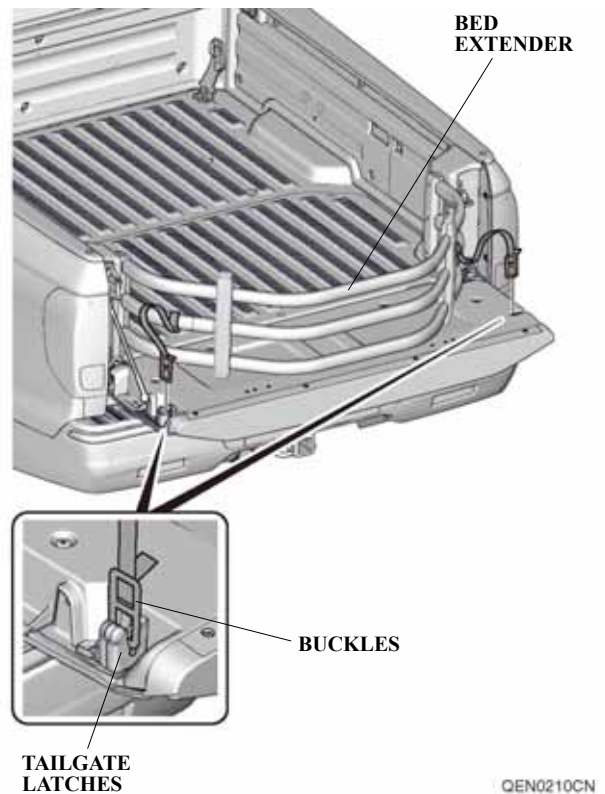
NOTE: Make sure to install the bumper uprights in the correct positions and orientations.



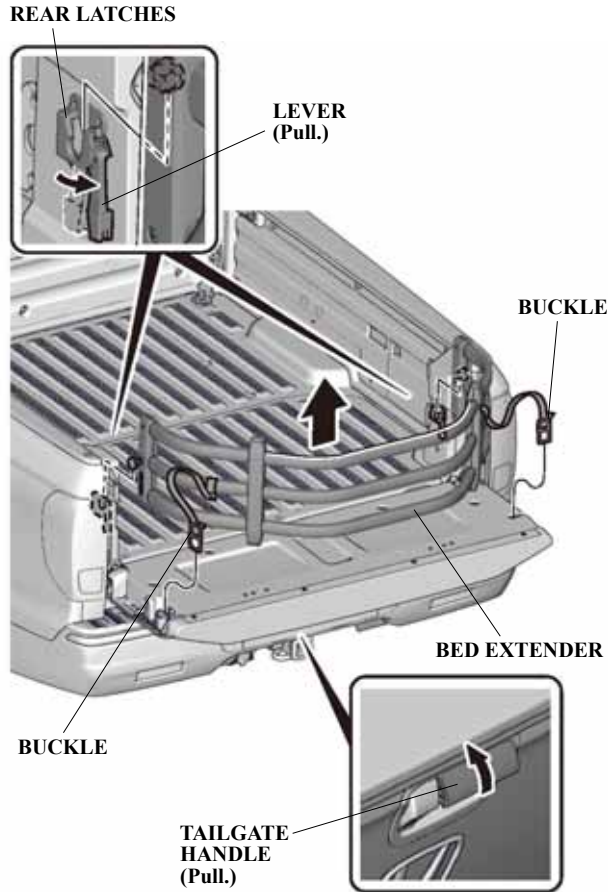
- Secure the bumper uprights to the bed extender with six PT-screws in the order shown. Tighten the PT-screws evenly.



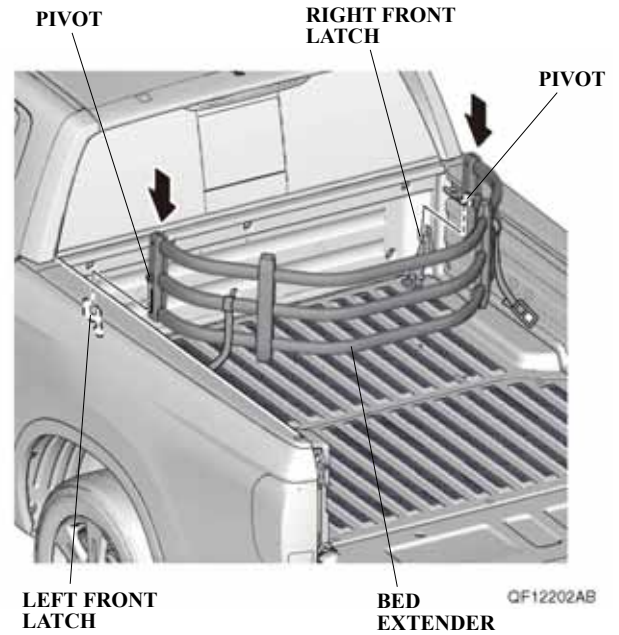
- Repeat steps 11 and 12 on the other side.
- Secure two buckles on the bed extender to the tailgate latches to confirm fitting.



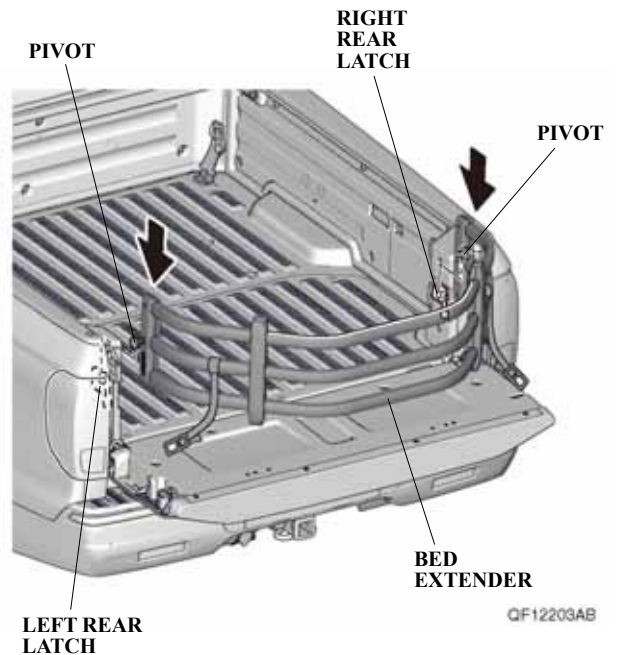
15. Release the buckles by pulling the tailgate handle. Unlock the rear latches by pulling the lever toward you and remove the bed extender by lifting it upward.



16. Insert the two pivots on the bed extender into the front latches. Push down on the bed extender until the parts are locked. Check that the bed extender is properly installed.



17. Remove the bed extender.
18. Install the bed extender at the rear position.



19. Rotate the bed extender forward. Close the tailgate.

